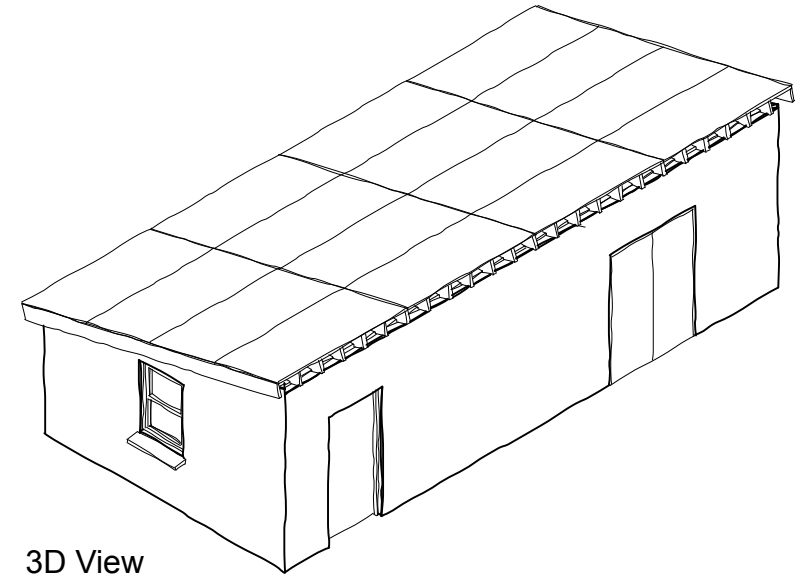


115 blocks
 South Elevation North Elevation



3D View

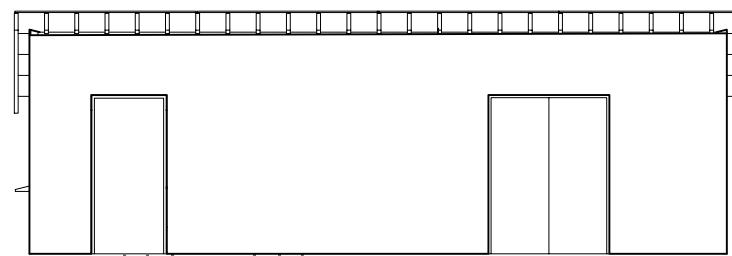
25 No. 9" x 2" C16 rafters @ 400 c/c
 5m length

16 sheets OSB3 or WBP Plywood 18mm

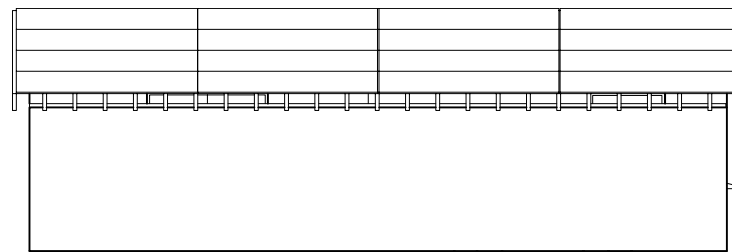
Sedum 46 sq m from GreenRoofsDirect.com at
 £36 per sq m

Battens on all 4 sides, lower side larger
 1" gap in batten to hopper/downpipe with mesh
 over and stones around (1/4 moon)

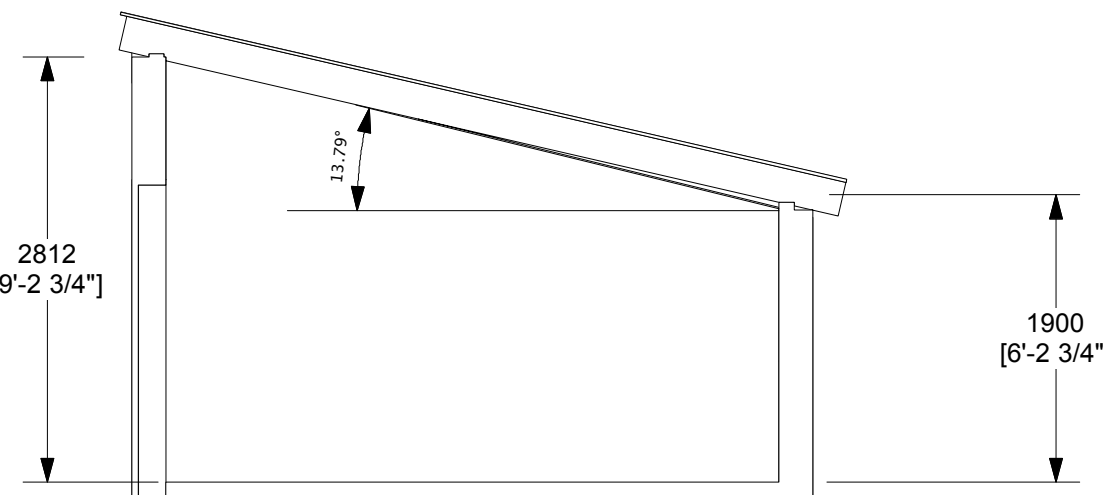
Bituthene 4000 3 rolls of 0.9m x 20m



East Elevation



West Elevation



1
 sheet Section AA
 Scale: 1:50